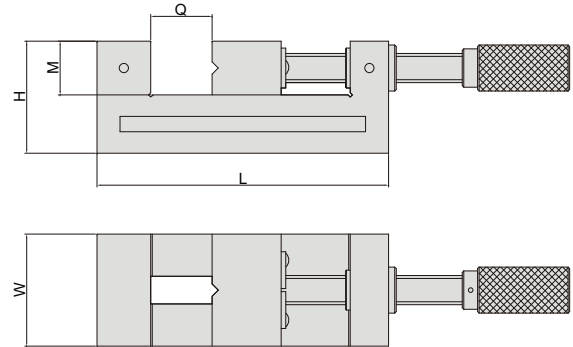


## PRECISION VISE



6525-76



(mm)

Code	Jaw opening (Q)	Jaw width (W)	L	H	M
6525-73	0-73mm	63mm	176	63	30
6525-76	0-76mm	73mm	190	73	35
6525-120	0-120mm	98mm	255	82	40

- Parallelism: 4 $\mu$ m/100mm
- Squareness: 6 $\mu$ m/100mm
- Made of SK2 tool steel
- Hardness HRC52-58